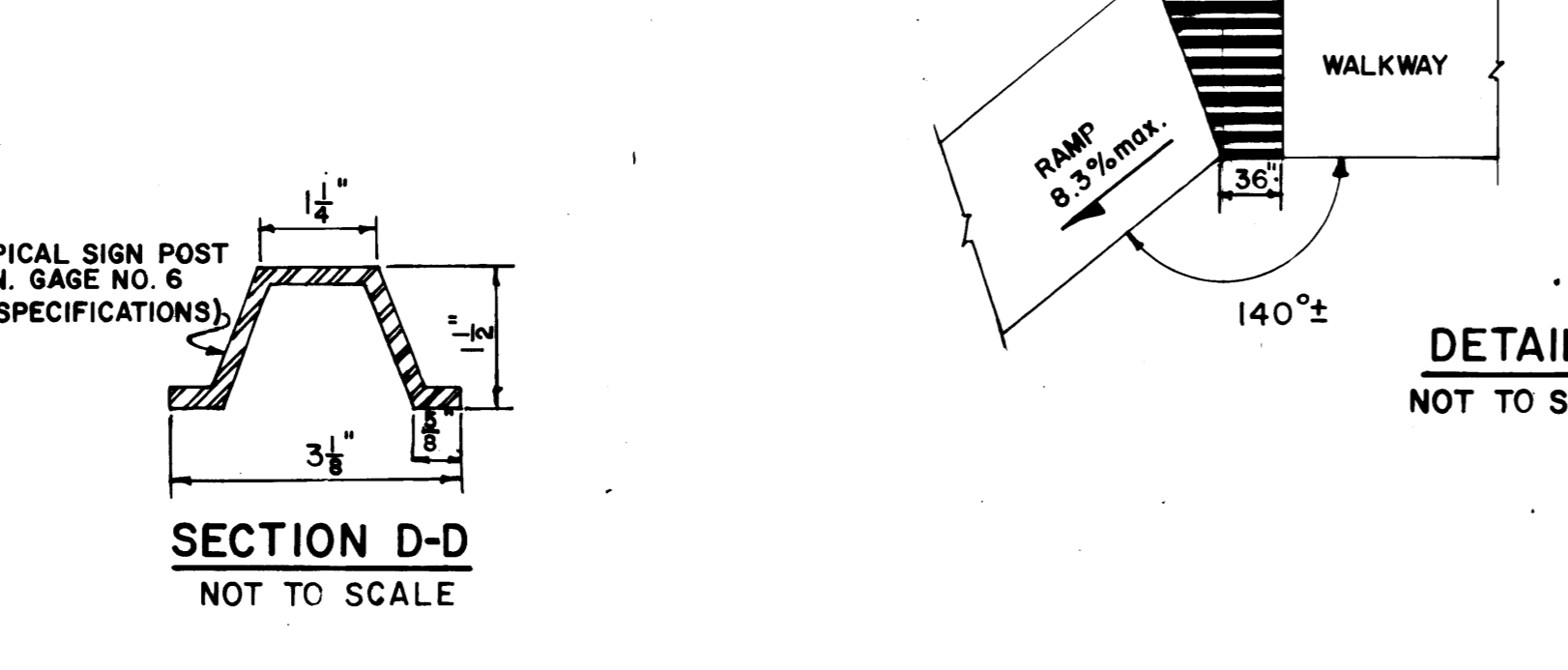
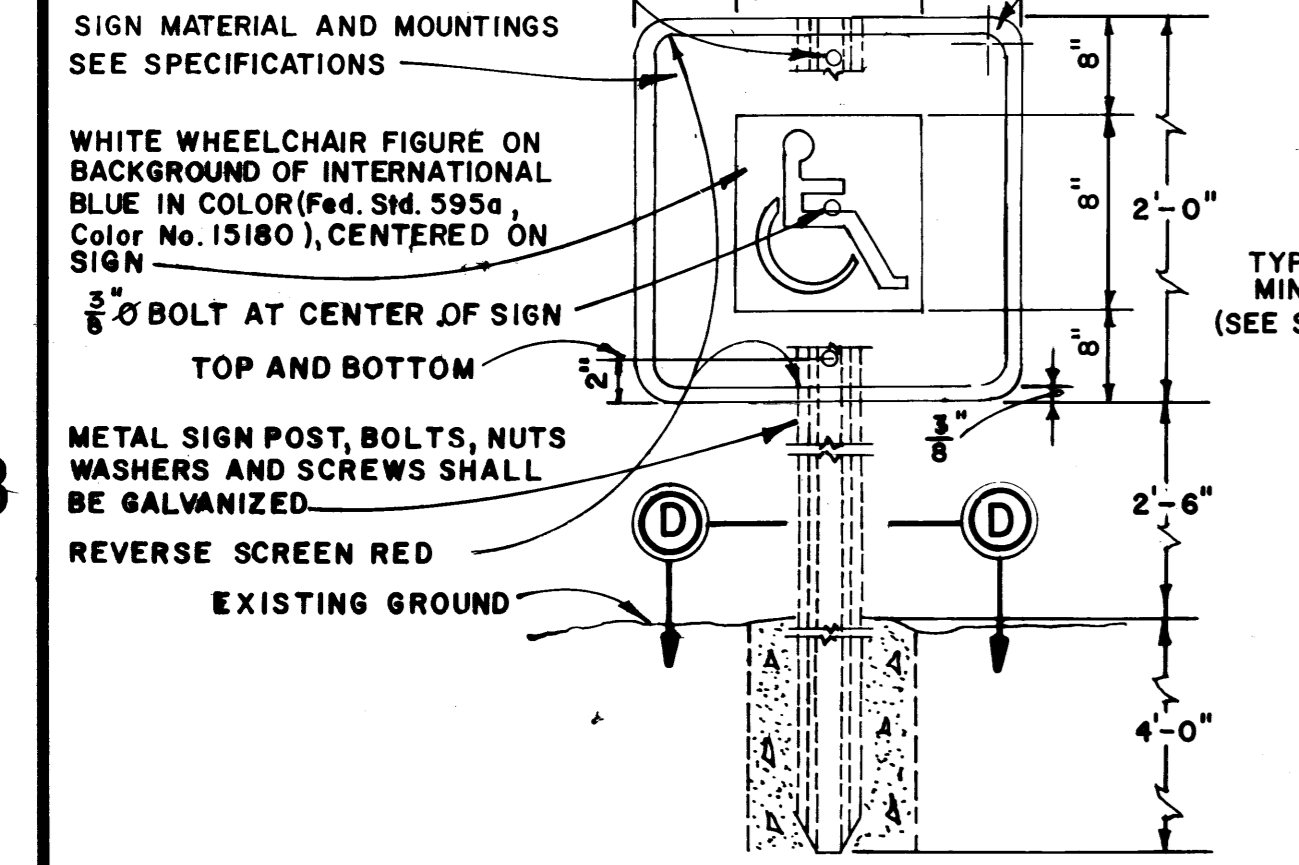
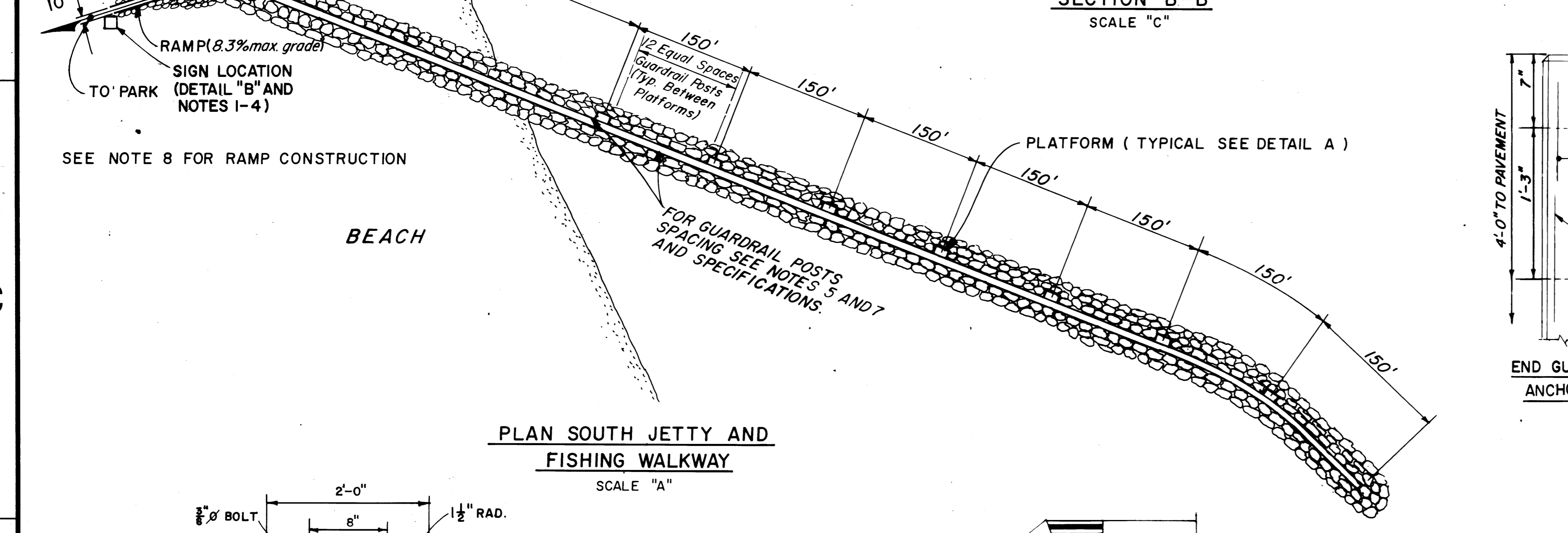
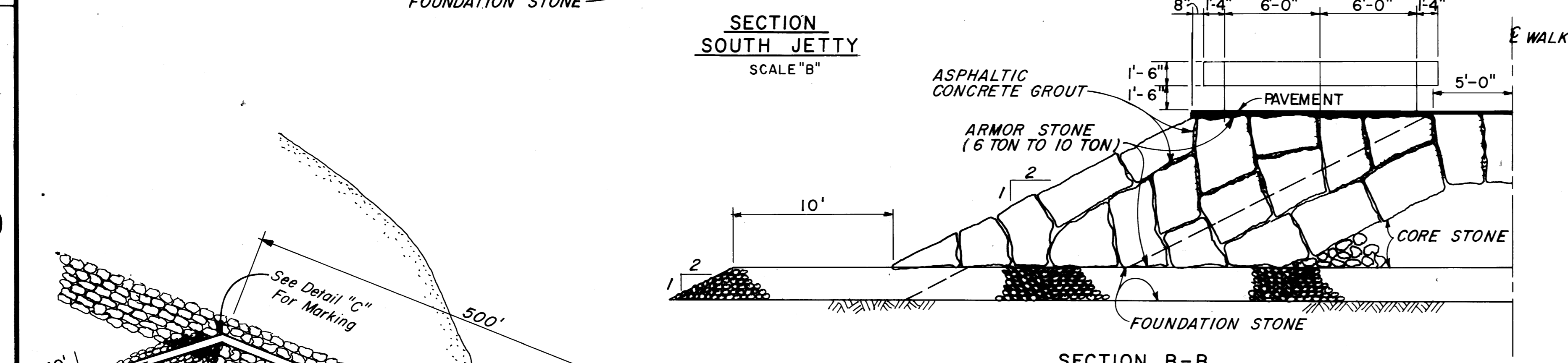
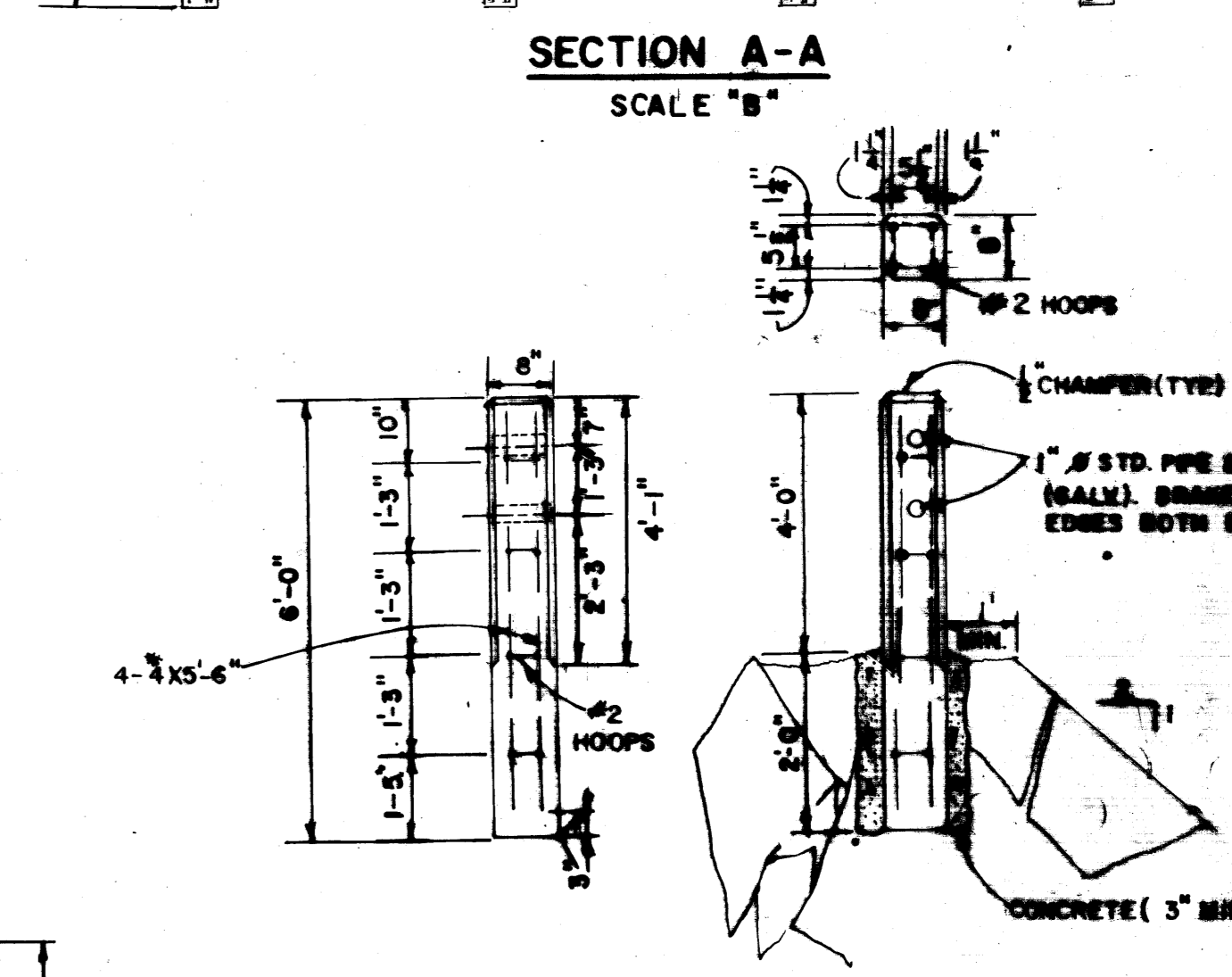
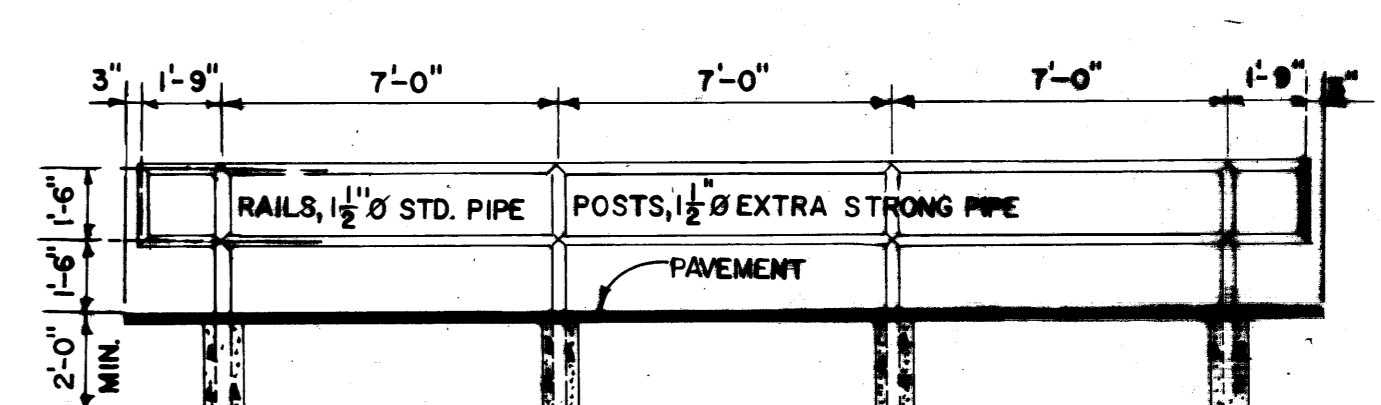
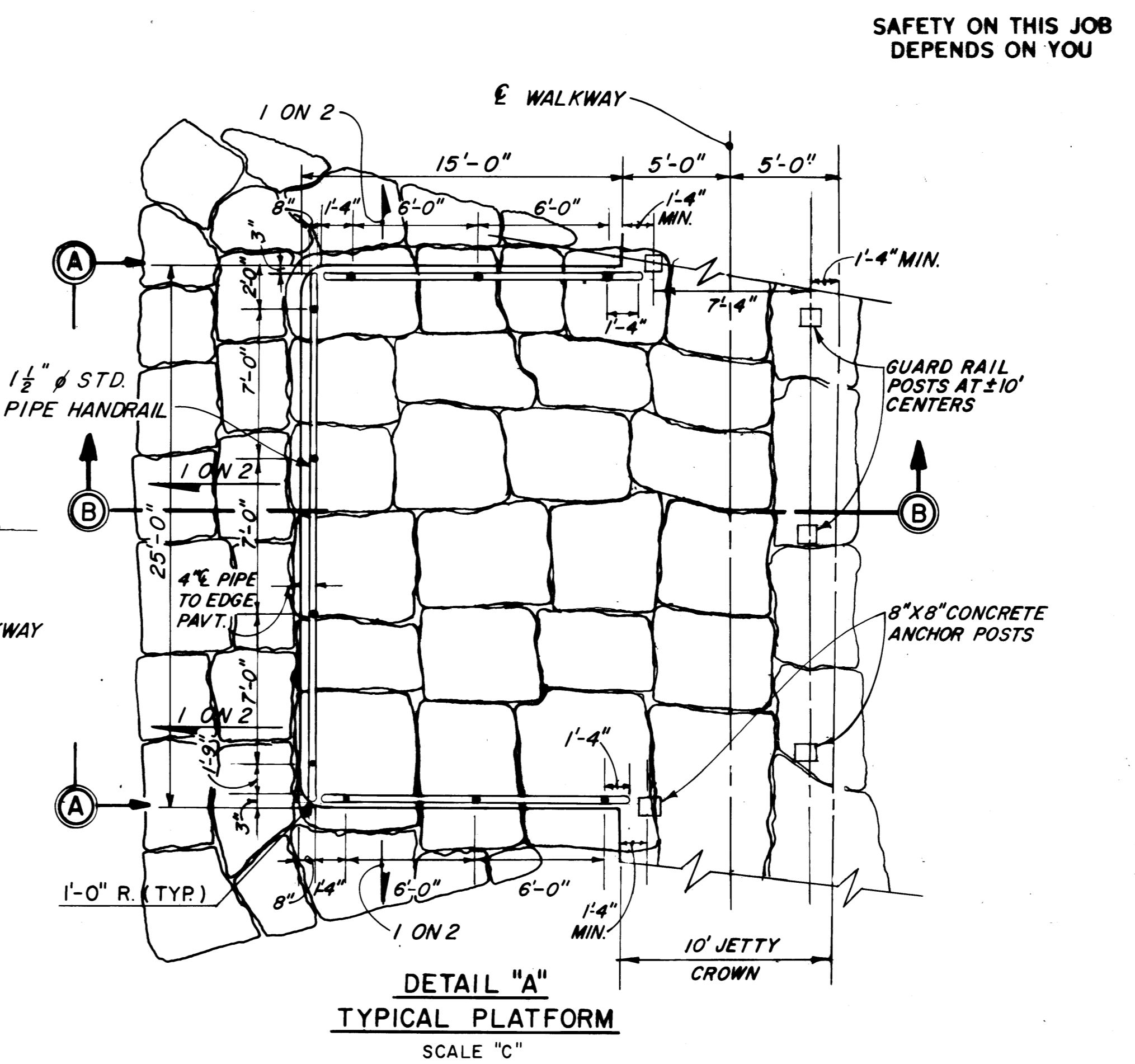
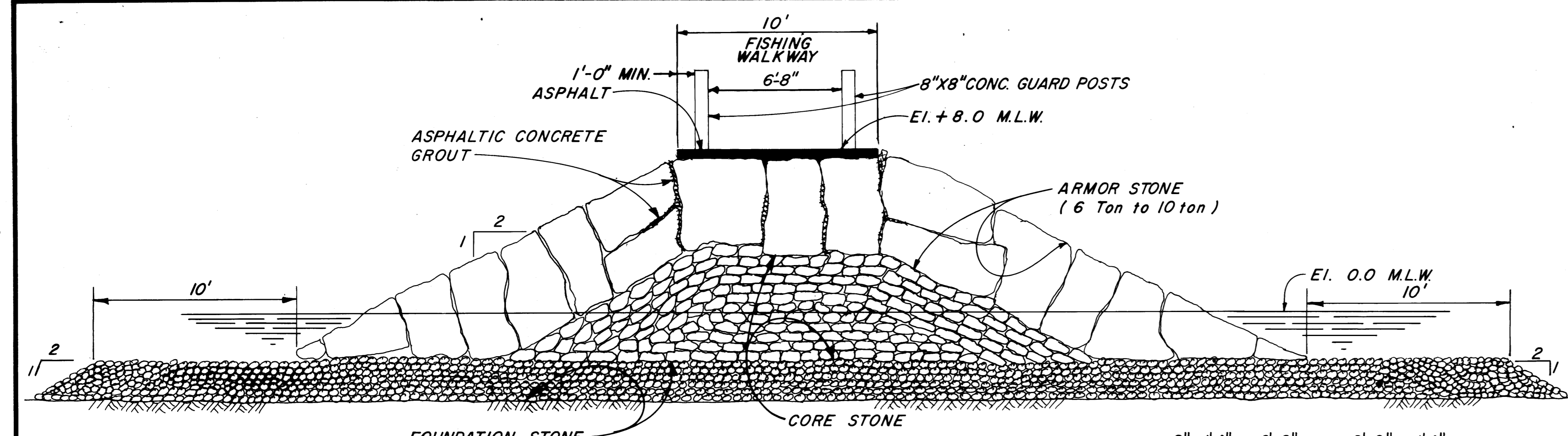
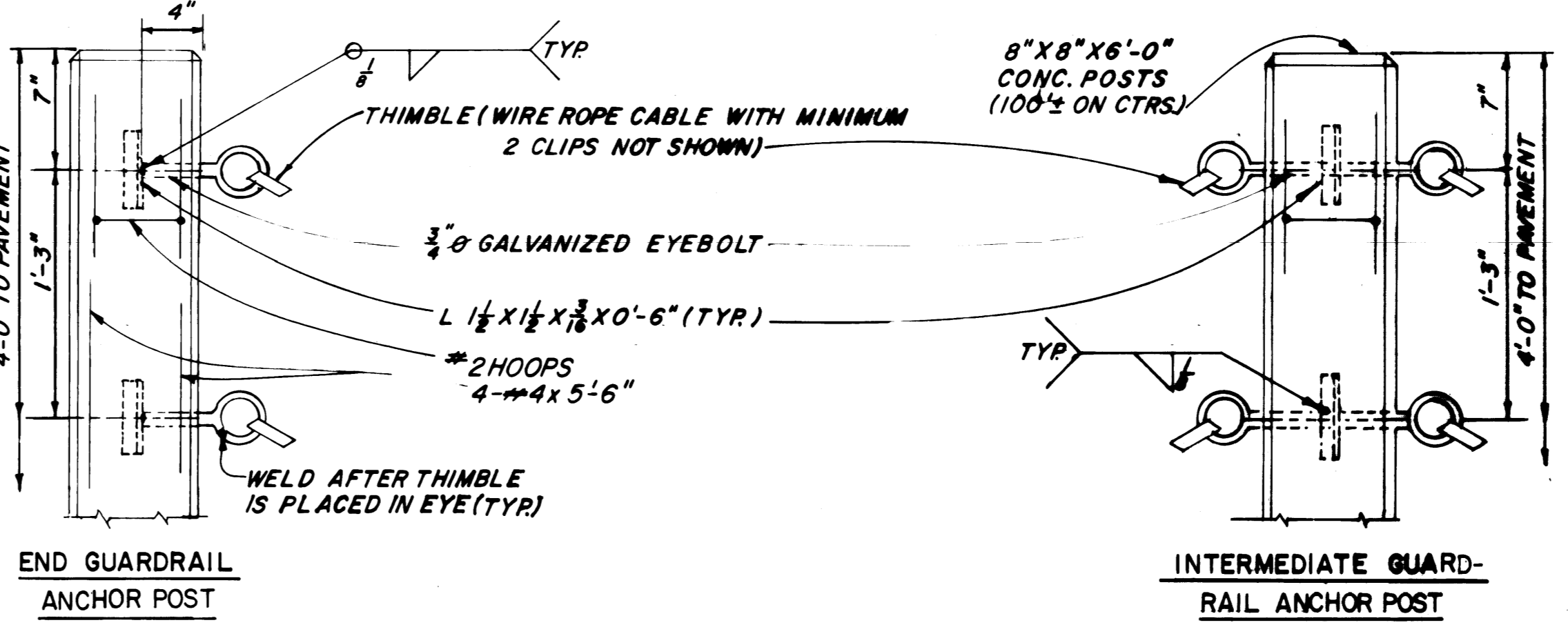


SAFETY ON THIS JOB DEPENDS ON YOU

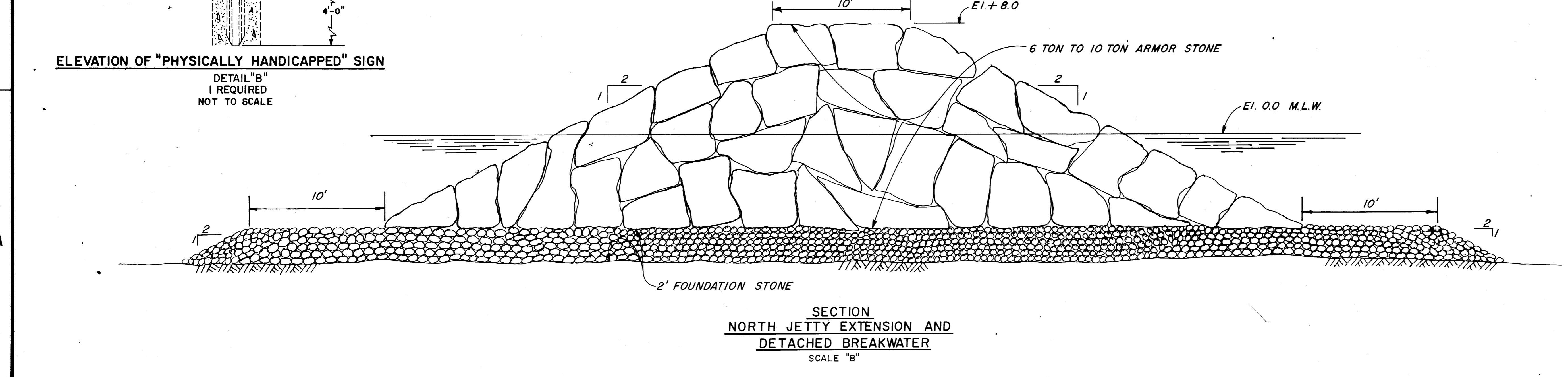
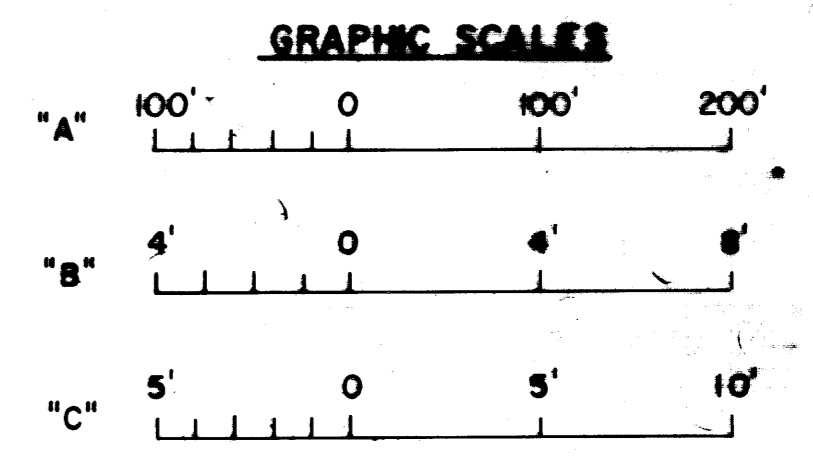
REVISIONS	
NO.	DESCRIPTION



PROVIDE TEXTURED WARNING STRIPS (e.g., PAINT-ON GRITTED EPOXY) ON WALK OR FLOOR PERPENDICULAR TO HEAD OF RAMP. MAKE STRIPS 1/16 INCH HIGH, 3 INCHES WIDE (WITH 3-INCH INTERVENING SPACES) AND 36 INCHES LONG. USE SAFETY YELLOW (FD. STD. 595a, COLOR #13655) OR OTHER COLOR WHICH CONTRASTS WITH FLOOR OR WALK. WARNING STRIPS WILL BE A NON-SKID SURFACE (AW MILITARY SPECIFICATION MIL W-5044c).



- NOTES:
- INTERNATIONAL SYMBOL OF ACCESS SHALL BE LOCATED 30' TO THE RIGHT OF THE RAMP. SEE DETAIL "B".
 - ALL BOLTS SHALL BE FURNISHED WITH ONE NUT AND WASHER, UNLESS OTHERWISE INDICATED. ALL BOLTS, NUTS AND WASHERS (EXCEPT THOSE NOTED AS CORR. RESIST.) SHALL BE GALVANIZED.
 - WHERE GALVANIZED ITEMS LOSE THEIR COATING DUE TO FIELD WELDING OR CHIPPING, GALVANIZING REPAIRS SHALL BE MADE IN ACCORDANCE WITH THE SPECIFICATIONS.
 - ALL MATERIAL NOTED AS CORR. RESIST. SHALL BE CORROSION RESISTANT STEEL, TYPE 304 OR 316 UNLESS SHOWN OR SPECIFIED OTHERWISE.
 - GUARDRAIL POSTS, EXCEPT THOSE BETWEEN PLATFORMS, SHALL BE SPACED APPROXIMATELY 10'-0" ON CENTER. SEE SPECIFICATIONS.
 - GUARDRAIL WILL BE EXTENDED DOWN THE RAMP TO MEET THE BEACH. LOCATION OF END POST WILL BE DETERMINED IN THE FIELD.
 - ANCHOR POSTS SHALL BE SPACED APPROX. 125' APART EXCEPT BETWEEN PLATFORMS THE SPACING SHALL BE 125' ON CENTERS.
 - RAMP SHALL BE CONSTRUCTED USING FOUNDATION STONE. MINIMUM THICKNESS OF RAMP SHALL BE 2 FEET.



DEPARTMENT OF THE ARMY
 JACKSONVILLE DISTRICT CORPS OF ENGINEERS
 JACKSONVILLE, FLORIDA
 ST. LUCIE INLET, FLORIDA
 DREDGING AND JETTY
 CONSTRUCTION
 JETTY & BREAKWATER SECTIONS
 AND FISHING WALKWAYS

DESIGNER: R. Henderson
 DATE: 11/15/67
 SCALE: AS SHOWN