

CLERK'S RECORDING CERTIFICATE
 I, MARSHA STILLER, CLERK OF THE CIRCUIT COURT OF MARTIN COUNTY, FLORIDA, HEREBY CERTIFY THAT THIS PLAT WAS FILED FOR RECORD IN

PLAT BOOK 14, PAGE 85

MARTIN COUNTY, FLORIDA, PUBLIC RECORDS THIS
15 DAY OF December, 1999

MARSHA STILLER, CLERK OF THE CIRCUIT COURT
 MARTIN COUNTY, FLORIDA.

FILE NO. 1466219 BY Shaw Wood
 DEPUTY CLERK

SUBDIVISION PARCEL CONTROL NO.

SURVEYOR'S NOTES

1. BEARINGS SHOWN HEREON ARE RELATIVE TO THE NORTH LINE OF SECTION 1, TOWNSHIP 40 SOUTH, RANGE 40 EAST, MARTIN COUNTY, FLORIDA, BEARING NORTH 89°19'32" EAST.
2. WHERE DRAINAGE AND UTILITY EASEMENTS INTERSECT, DRAINAGE EASEMENTS WILL TAKE PRECEDENCE.
3. ANY LINE INTERSECTING A CURVE IS NON-RADIAL TO THAT CURVE UNLESS OTHERWISE NOTED.
4. IN THE EVENT THAT MARTIN COUNTY DISTURBS THE SURFACE OF A PRIVATE STREET DUE TO MAINTENANCE, REPAIR OR REPLACEMENT OF A PUBLIC IMPROVEMENT LOCATED THEREIN, THEN THE COUNTY SHALL BE RESPONSIBLE FOR RESTORING THE STREET SURFACE ONLY TO THE EXTENT WHICH WOULD BE REQUIRED IF THE STREET WERE A PUBLIC STREET, IN ACCORDANCE WITH THE COUNTY SPECIFICATIONS.

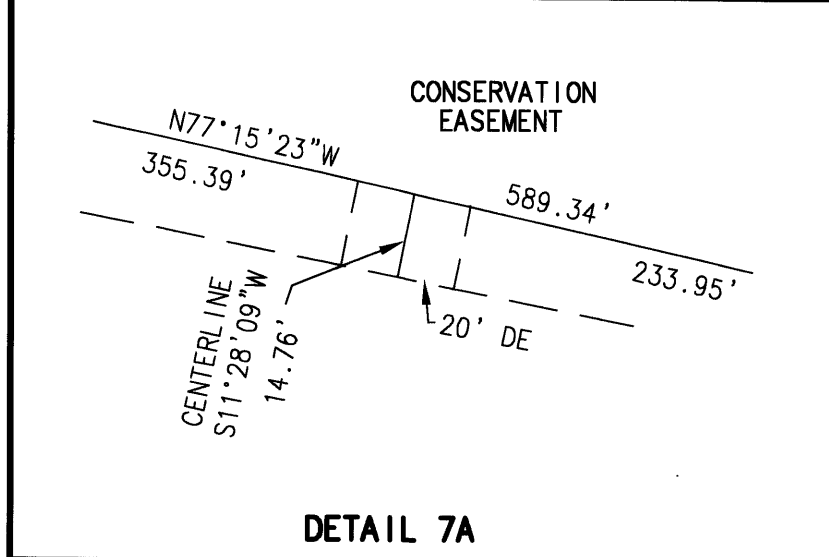
NOTE: THIS PLAT, AS RECORDED IN ITS GRAPHIC FORM IN THE PUBLIC RECORDS, IS THE OFFICIAL DEPICTION OF THE SUBDIVIDED LANDS DESCRIBED HEREON AND WILL IN NO CIRCUMSTANCES BE SUPPLANTED IN AUTHORITY BY ANY OTHER FORM OF THE PLAT WHETHER GRAPHIC OR DIGITAL.

THERE MAY BE ADDITIONAL RESTRICTIONS THAT ARE NOT RECORDED ON THIS PLAT THAT MAY BE FOUND IN THE PUBLIC RECORDS OF THIS COUNTY.

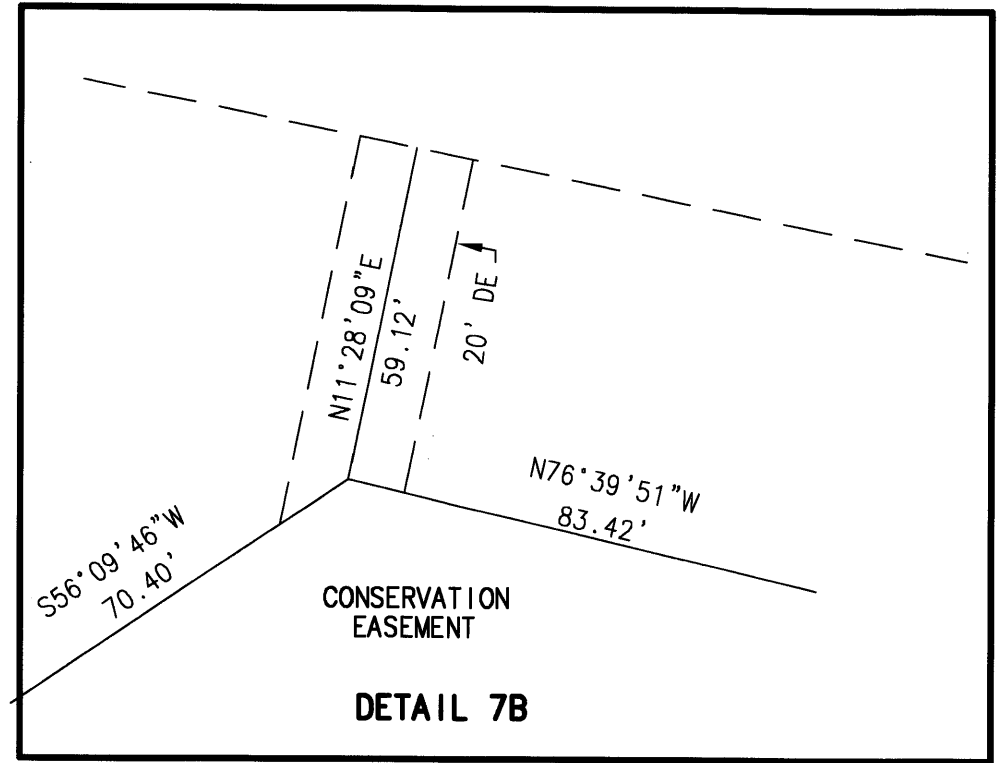
TRAILSIDE

LYING IN SECTIONS 31 AND 32, TOWNSHIP 39 SOUTH, RANGE 41 EAST AND SECTIONS 1 AND 2, TOWNSHIP 40 SOUTH, RANGE 40 EAST AND SECTION 6, TOWNSHIP 40 SOUTH, RANGE 41 EAST. MARTIN COUNTY, FLORIDA

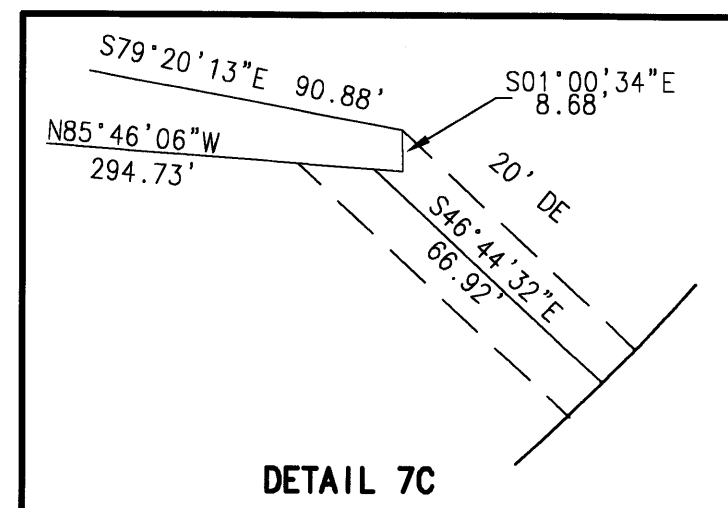
JULY 1999



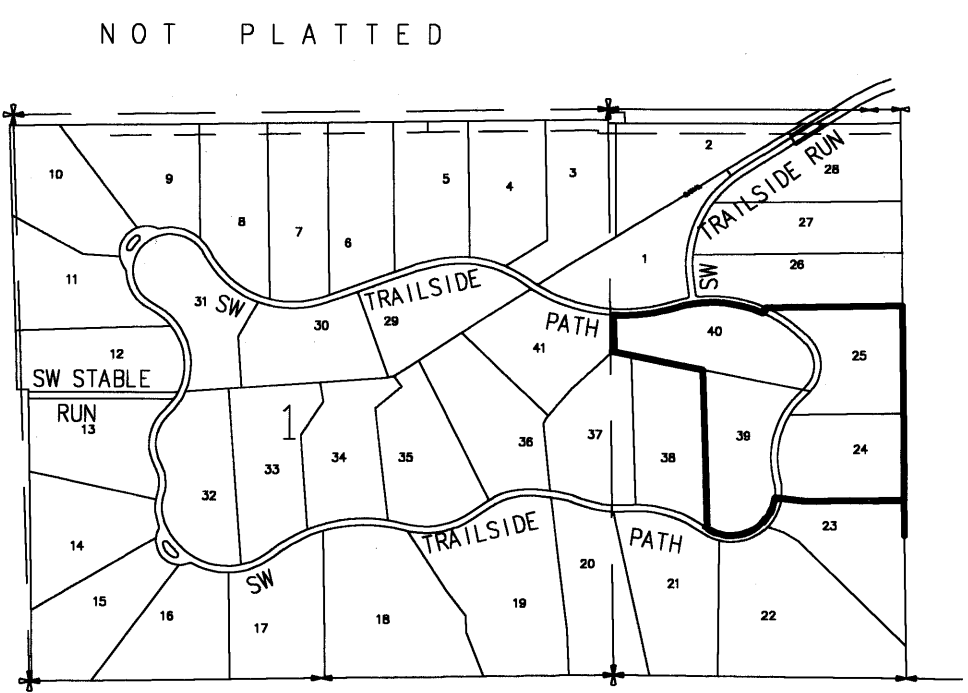
DETAIL 7A



DETAIL 7B



DETAIL 7C



SHEET INDEX

LEGEND

- Δ DELTA ANGLE
- L LENGTH
- R RADIUS
- UE UTILITY EASEMENT
- DE DRAINAGE EASEMENT PRIVATE
- SEC SECTION
- RP RADIUS POINT
- PC POINT OF CURVATURE
- PT POINT OF TANGENCY
- PCC POINT OF COMPOUND CURVATURE
- PRC POINT OF REVERSE CURVATURE
- PERMANENT REFERENCE MONUMENT NO. 2791
- PERMANENT CONTROL POINT NO. 2791
- SEC SECTION
- T TOWNSHIP
- R RANGE
- CB CHORD BEARING
- T TANGENT LENGTH
- C CHORD LENGTH
- CBE CONSERVATION BUFFER EASEMENT
- (NR) NON-RADIAL
- ORB OFFICIAL RECORD BOOK

JOHN G. ALBRITTON & ASSOCIATES, INC.
 DEVELOPMENT CONSULTANTS • SURVEYORS AND MAPPERS
 1404 South 28th Street, Suite C • Fort Pierce, Florida 34947
 CERTIFICATE OF AUTHORIZATION No. LB 6565
 (888)464-0081 Fax (888)464-1894

JGA

TRAILSIDE